

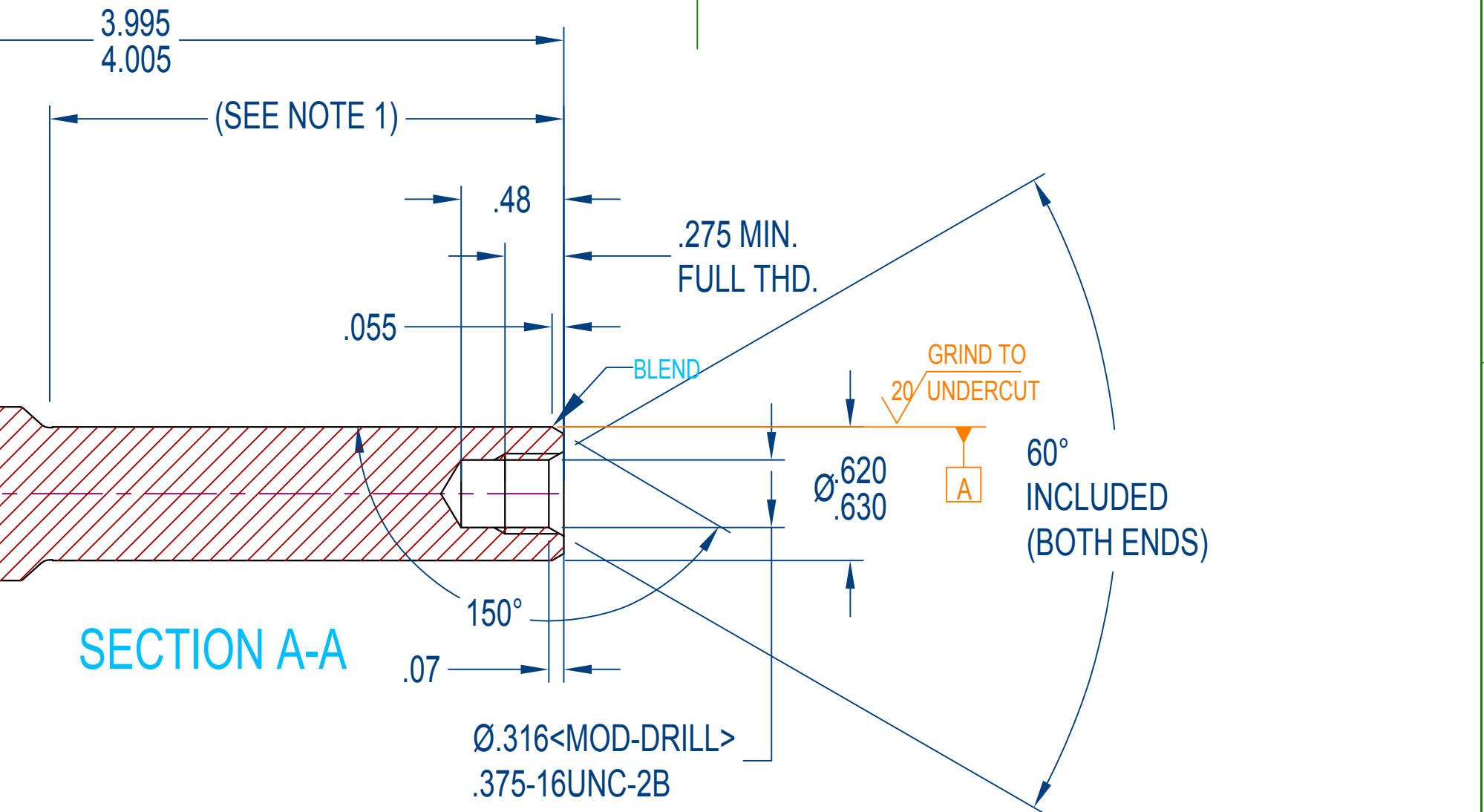
2

1

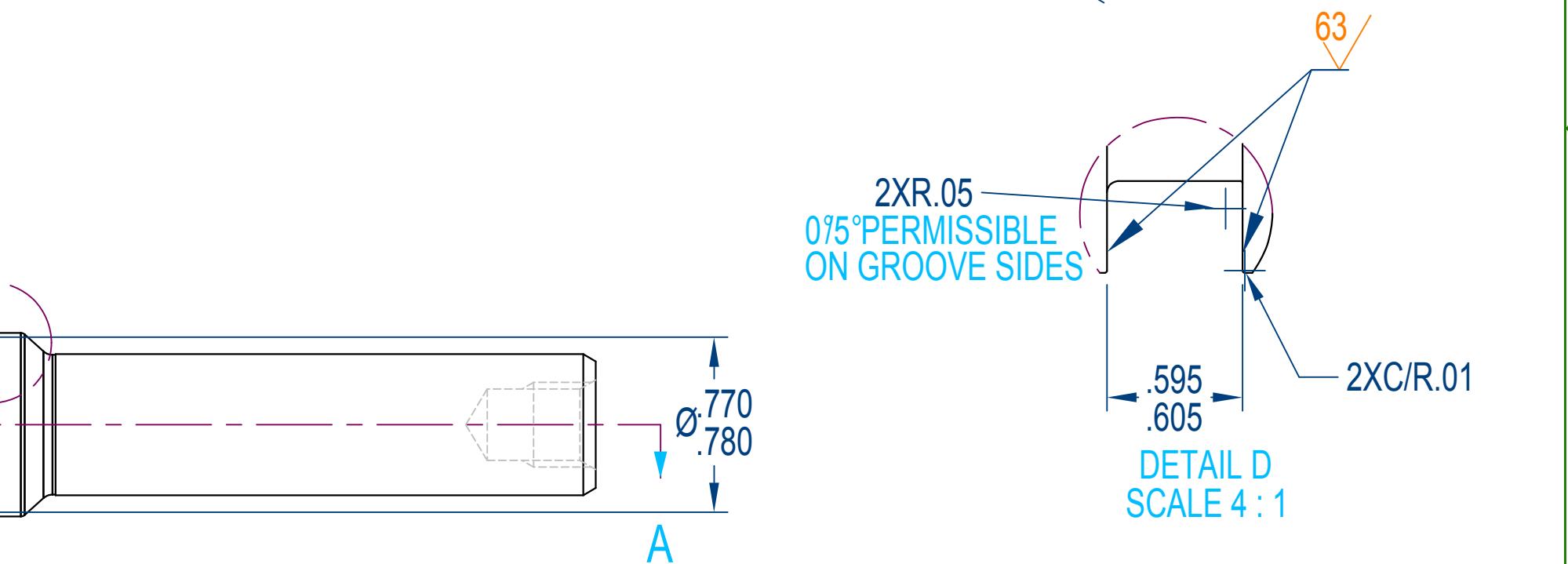
REPORT ERRORS TO ENGINEERING DEPT.

REVISIONS

ZONE	RFV	DESCRIPTION	DATE	APPROVED
------	-----	-------------	------	----------

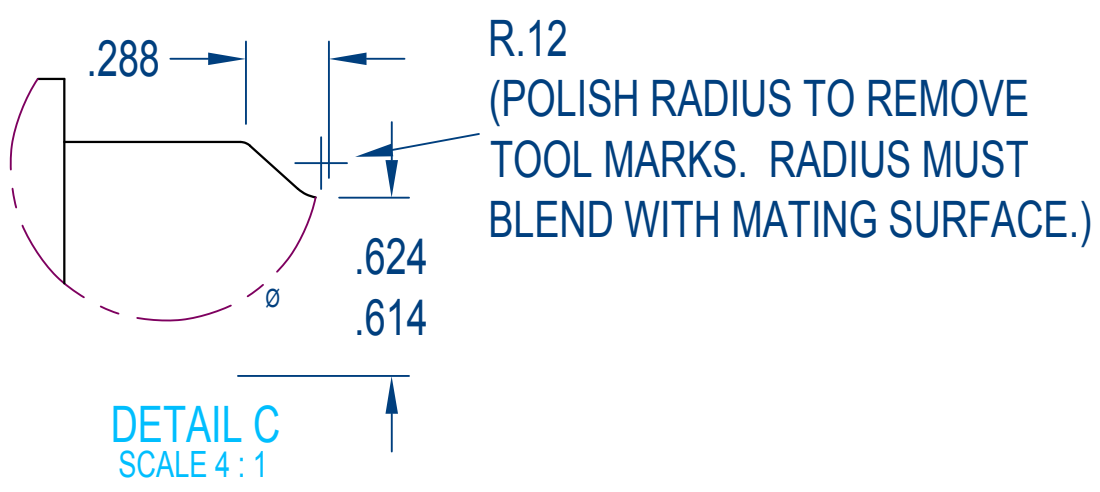


SECTION A-A



0.75 PERMISSIBLE ON GROOVE SIDES

DETAIL D SCALE 4:1



DETAIL C SCALE 4:1

(NG) AREA AS NOTED AND POLISHING.

GLOBAL CORPORATION
ROD, PISTON (1-1/2 CLAMP)

DRAWN BY	Huff	DATE	8/10/07
CHECKED BY	Bowman	SCALE	1.5=1
APPROVED BY	HUFF	PROJ. ENG.	SMITH

SIZE	FSCM NO.	DWG. NO.	RFV
C		P-125-014	A
SCALE	1.5=1	SHEET	1

2

1

D

C

B

A