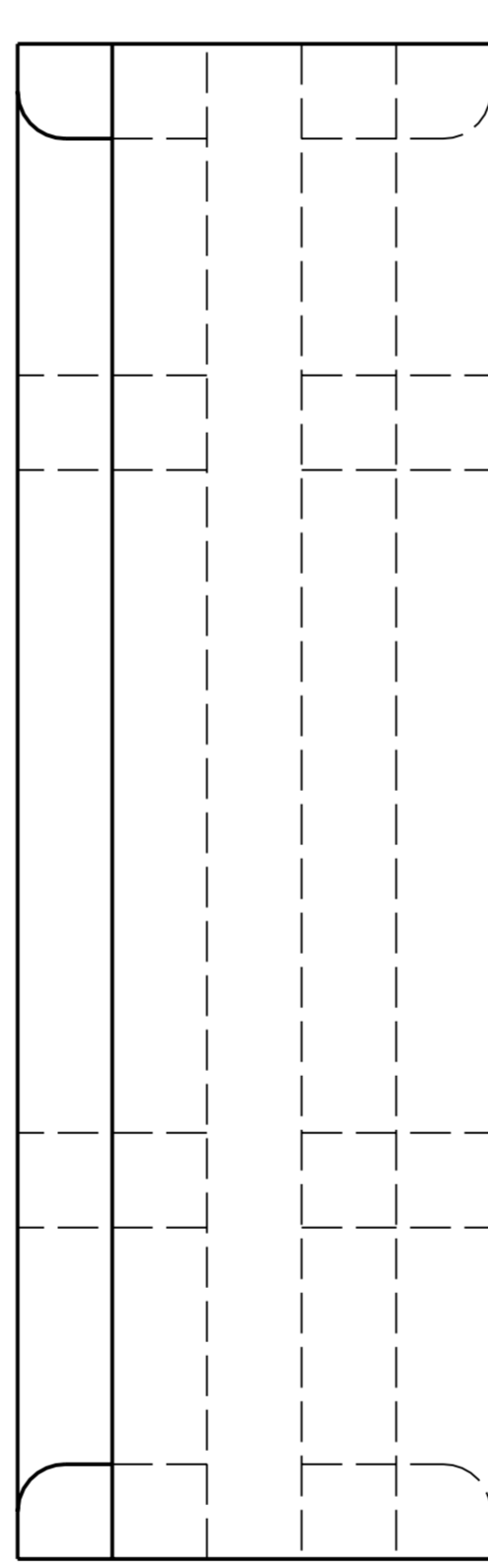
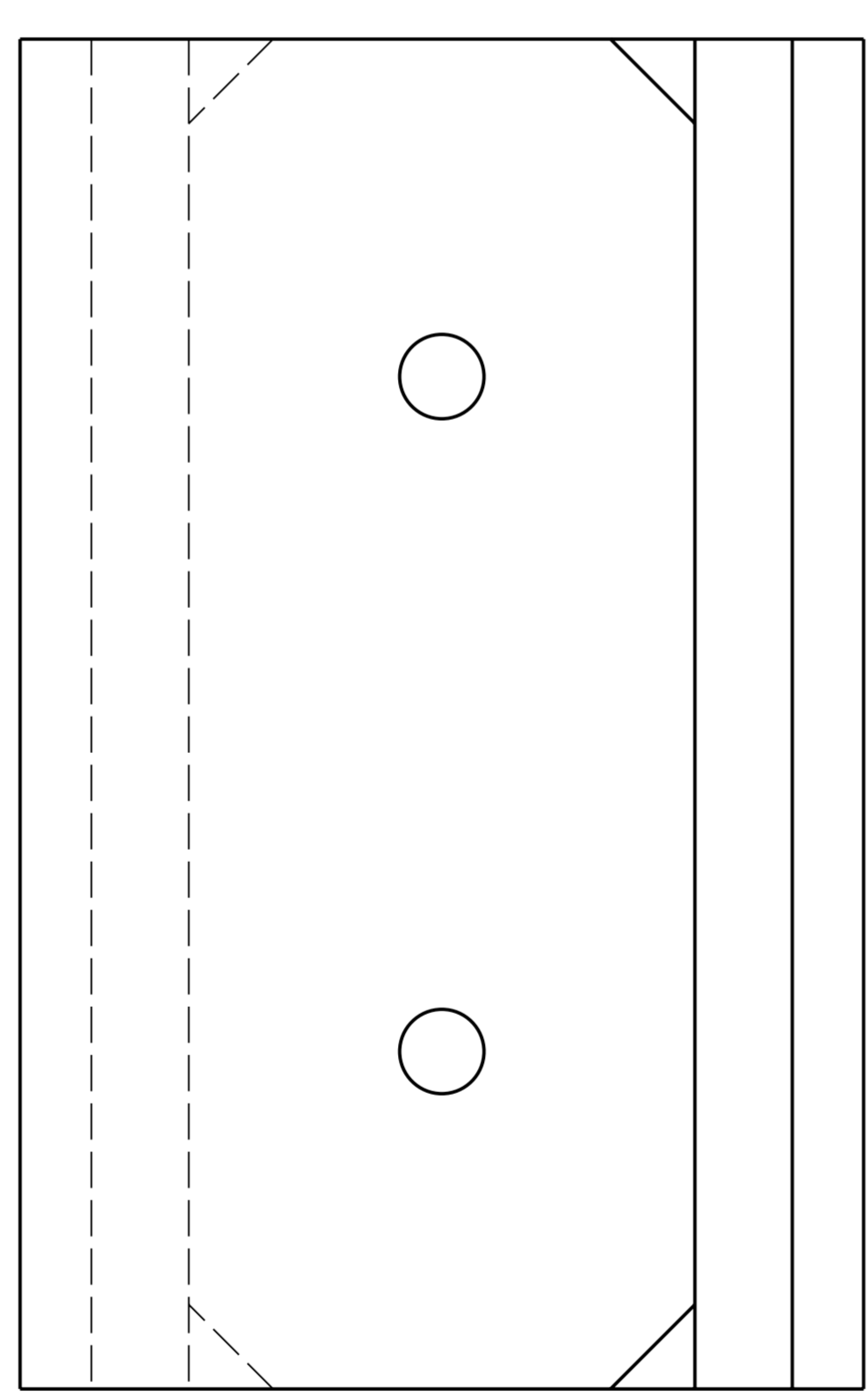
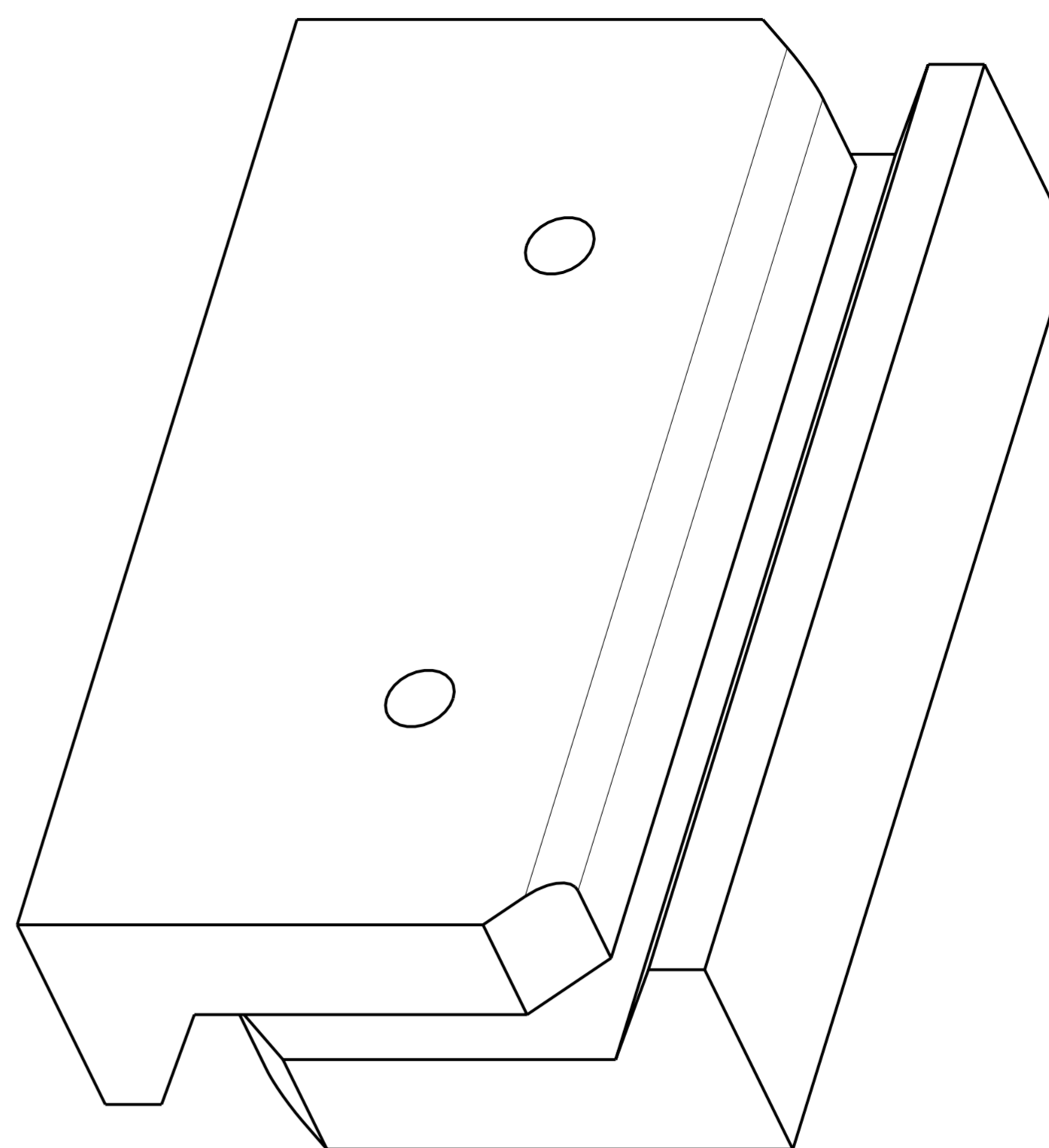
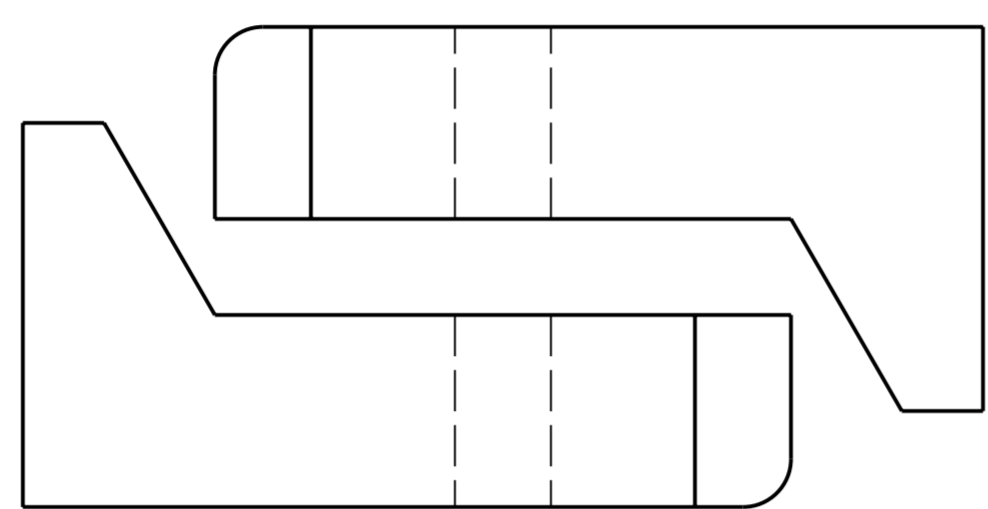


1 2 3 4 5 6 7 8 9 10

REL FOR ASM	QTY	TECHNICAL APPROVAL			DATE	EC NO.	DATE	EC NO.	PART NO.	01Z0012
		ELECTRICAL								
		MATERIAL								
									DEVELOPMENT NO.	Q/M



01Z0012

IBM MATERIAL NO.		MUST CONFORM TO ENG SPEC: 80X2324 46G3772		SI metric AO	SCALE: 0 mm 25 THIRD ANGLE PROJECTION	PART NO.		01Z0012	IBM
MATERIAL ALTERNATE NO.		TOLERANCE UNLESS NOTED				TITLE			
CASE DEPTH		LINEAR ±		DESIGNER					
HARDNESS		ANGLES ±		CHECKED					
SURFACE TREATMENT		RADI UNLESS NOTED		APPROVED					
CODE NO.		EDGE/ CORNER BREAKS		CLASS					
		OUTSIDE MAX INSIDE MAX							

1 2 3 4 5 6 7 8 9 10 CATV5