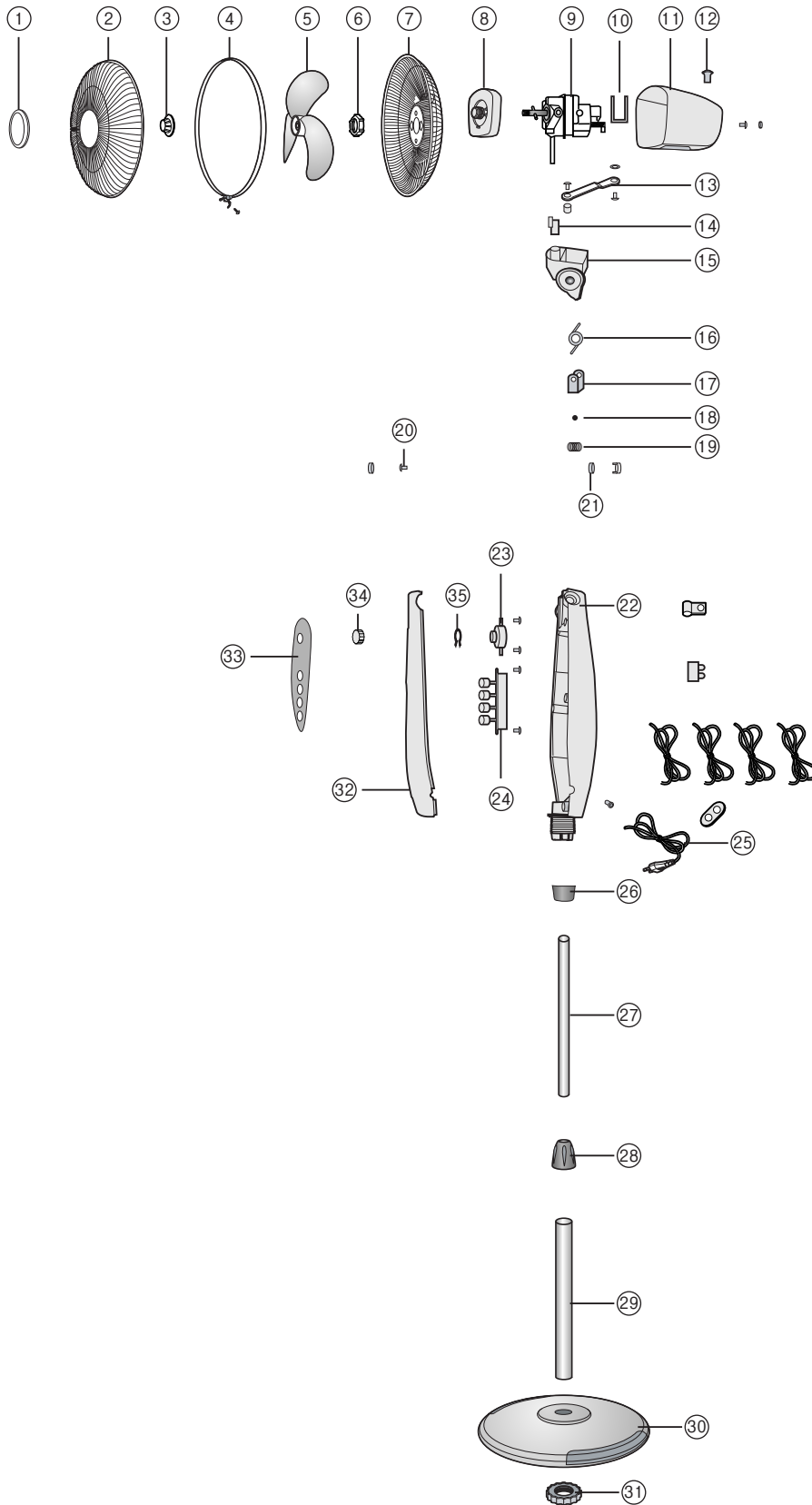


모델별 분해도 및 PART LIST

● SEF-1601



모델별 분해도 및 PART LIST

● SEF-1601

No.	Parts Name	N/O	Qty	Material &Spec	Remark
1	Mark Ring	SEF11D0001	1	ABS	
2	Front Guard	SEF11D0002	1	16" 120 Steel	
3	Blade Nut	SEF11D0003	1	PP	
4	Guard Ring	SEF11D0004	1	ABS	
5	Blade	SEF11D0005	1	PC	
6	Guard Nut	SEF11D0006	1	PP	
7	Rear Guard	SEF11D0007	1	16" 120 Steel	
8	Front Cover	SEF11D0008	1	PP	
9	Motor Ass'y	SEF11D0009	1	AC 220V 60Hz 50W	
10	Link	SEF11D0010	1	Steel	
11	Rear Cover	SEF11D0011	1	PP	
12	Oscillation S/W	SEF11D0012	1	PP	
13	Crank	SEF11D0013	1	Steel	
14	Rotary Seat	SEF11D0014	1	POM	
15	Neck	SEF11D0015	1	ABS	
16	Up Down Spring	SEF11D0016	1	Steel	
17	Neck Plate	SEF11D0017	1	Steel	
18	Ball	SEF11D0018	1	Steel	
19	Spring	SEF11D0019	1	Steel	
20	Screw	SEF11D0020	1	Steel	
21	Nut	SEF11D0021	1	Steel	
22	Rear Shell	SEF11D0022	1	ABS	
23	Timer	SEF11D0023	1	DFJ 120 220~250V 1.6A	
24	Switch	SEF11D0024	1	KQ34 250V 1A	
25	Power Cord	SEF11D0025	1	H05VVH2-F 0.75mm ² X 2C	
26	Tighten Knob	SEF11D0026	1	ABS	
27	Extension Post	SEF11D0027	1	Steel	
28	Holder Cap	SEF11D0028	1	ABS	
29	Extension Post	SEF11D0029	1	Steel	
30	Base	SEF11D0030	1	PP	
31	Base Nut	SEF11D0031	1	PP	
32	Front Shell	SEF11D0032	1	ABS	
33	Name Plate	SEF11D0033	1	PVC	
34	Knob	SEF11D0034	1	ABS	
32	Gift Box	SEF11D0035	1		
33	Instruction Manual	SEF11D0036	1		
34	Rating Label	SEF11D0037	1		